



Lane Line Numbers for Gold PRO and Gold Racing Lane Lines

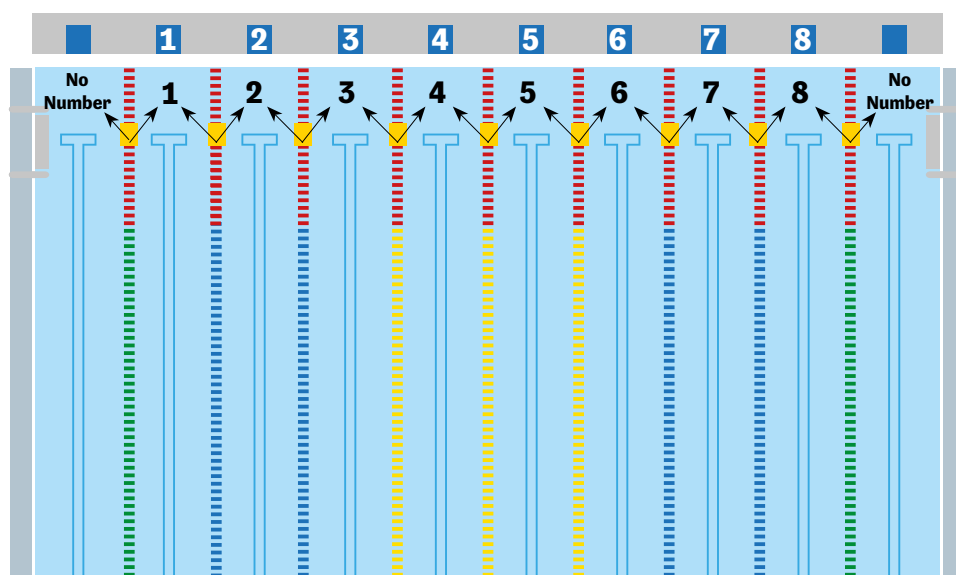
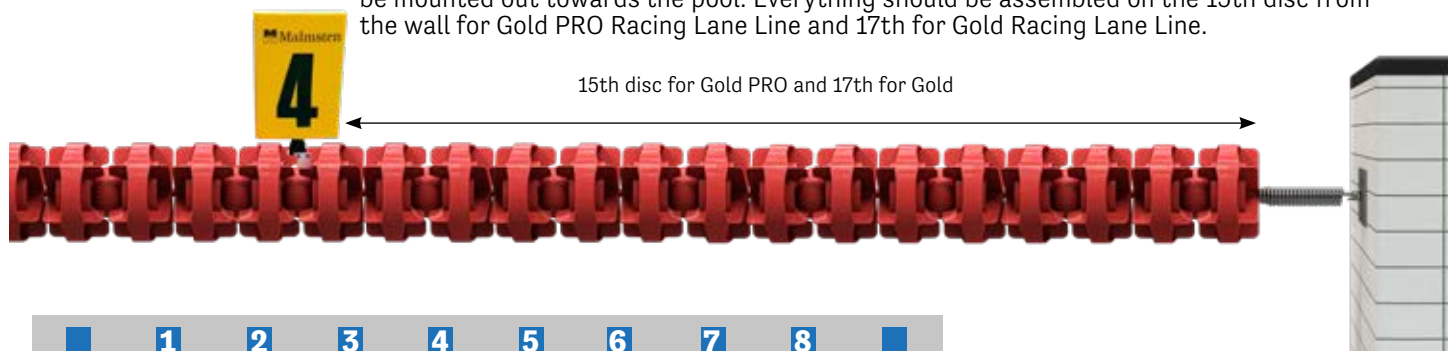
Lane Line Numbers for 8 or 10 competition racing lanes, approved by Fina and LEN. The double-sided numbers are mounted on the racing lane line and make it easy for judges, officials and the public to identify the different lanes. They are made of soft foam material that cannot cause damage to the swimmer, and have a weight underneath, so the sign always stands straight up. Easy to remove the numbers after the competition. The weights can remain attached when rolling up the racing lanes.

Sold per unit.

For competitions 8 lanes- 18 double-sided lane line numbers are needed for 9 lane lines: 2 x Blank side/1, 2 x 1/2, 2 x 2/3, 2 x 3/4, 2 x 4/5, 2 x 5/6, 2 x 6/7, 2 x 7/8, 2 x 8/Blank side.

For competitions 10 lanes-22 double-sided lane line numbers are needed for 11 lane lines: 2 x Blank side/0, 2 x 0/1, 2 x 1/2, 2 x 2/3, 2 x 3/4, 2 x 4/5, 2 x 5/6, 2 x 6/7, 2 x 7/8, 2 x 8/9, 2 x 9/Blank side.

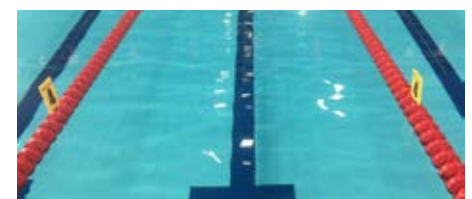
The sign is to be assembled according to the attached sample. The lane line number must be mounted out towards the pool. Everything should be assembled on the 15th disc from the wall for Gold PRO Racing Lane Line and 17th for Gold Racing Lane Line.



The lane line number are in soft yellow foam with black numbers on both sides.

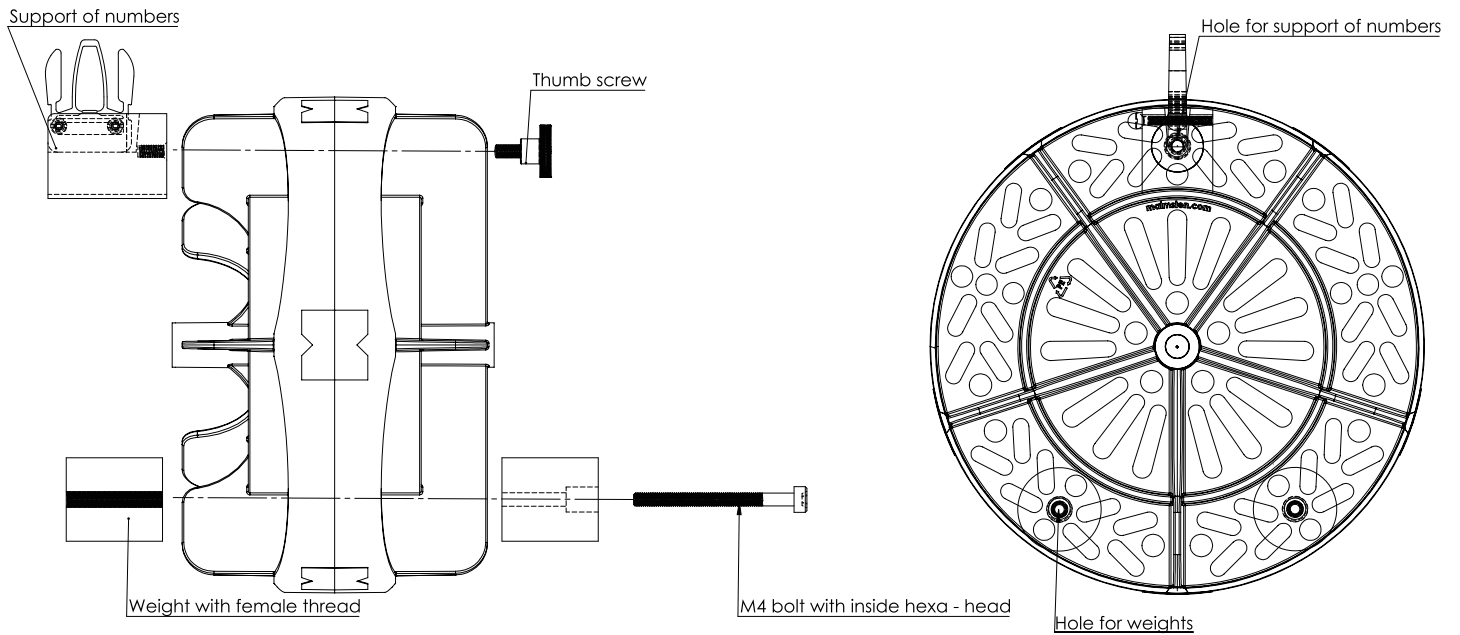
The lane line number must be placed so that you see the track number behind the track if you are on the long side.

The lane line number must be placed at both sides of the pool.

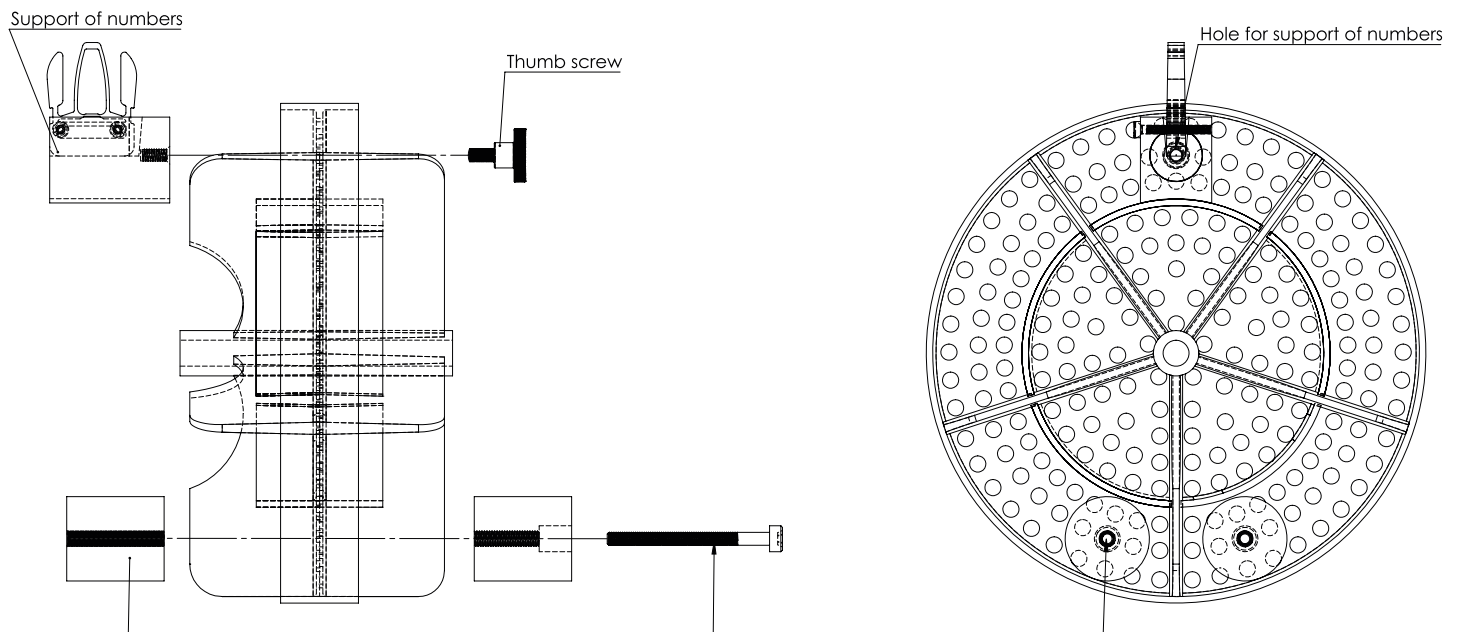


Selected When it Counts

Assembly of lane line numbers to the Gold PRO Racing Lane Lines



Assembly of lane line numbers to the Gold Racing Lane Lines



When storing the Racing Lane Lines, the weights can remain on the ropes, but the lane line numbers must be demounted in order to prevent damage.

Selected When it Counts