

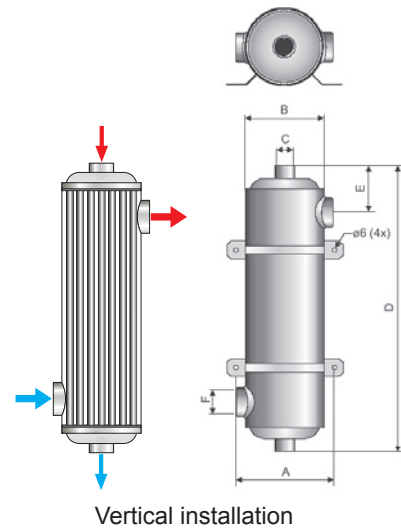
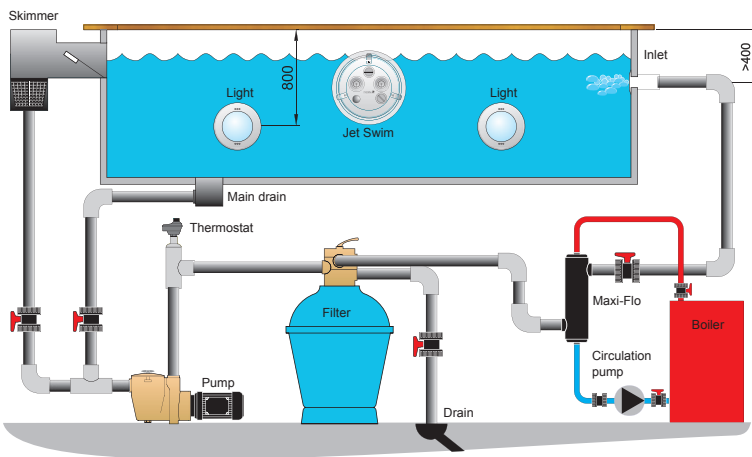
## MAXI-FLO



Item no. 11367 MF 260 - 75kW



- Acid-proof stainless steel AISI 316L - For optimum quality and life.
- Precision-welded outer jacket - For optimum finish and long life.
- 37 seamless pipes equipped with flow restrictors - For high heat transfer capacity.
- Adjustable brackets of acid-resistant stainless steel - For simpler and more flexible installation.
- Four sizes: 40, 60, 75 and 120 kW - For swimming pools of up to 450 m<sup>3</sup>.
- Connects to boiler, heat pump, solar panel system or other heat source - Suits all installations.



Vertical installation

### Dimensions

Item no.	A	B	C	D	E	F
11365	139	129	1"	355	92	1½"
11366	139	129	1"	485	92	1½"
11367	139	129	1"	600	85	2"
11368	139	129	1½"	1070	85	2"

### Maxi-Flo

Maximum pressure secondary circuit (pool water) and primary circuit (hot water) is 10 bar.

Maxi-Flo can be connected in series when needed. Item no. for coupling 10083002.

### Technical data

Item no.	Model	Capacity		Primary, hot water		Secondary, pool water	
		kW	kBtu/h	l/min	press. drop H(m)	l/min	press. drop H(m)
11365	MF 135	40	135	25	0,05	200	0,8
11366	MF 200	60	200	30	0,2	250	1,4
11367	MF 260	75	260	35	0,4	300	1,8
11368	MF 400	120	400	50	0,7	360	2,4

Capacity at 60° temperature difference

